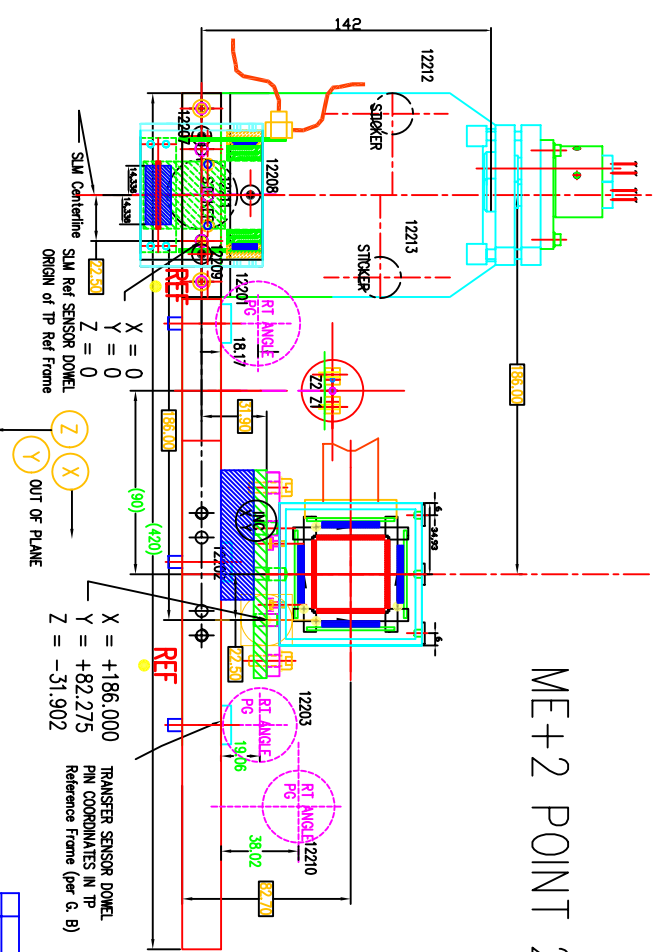
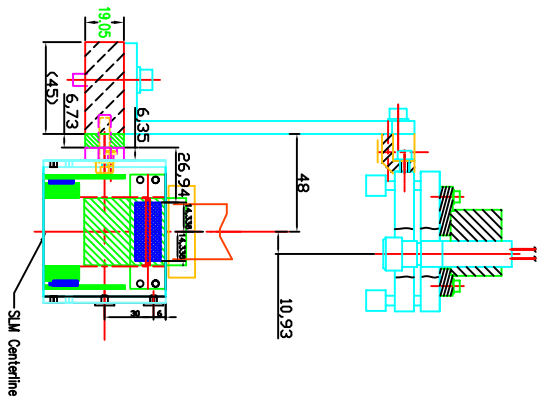
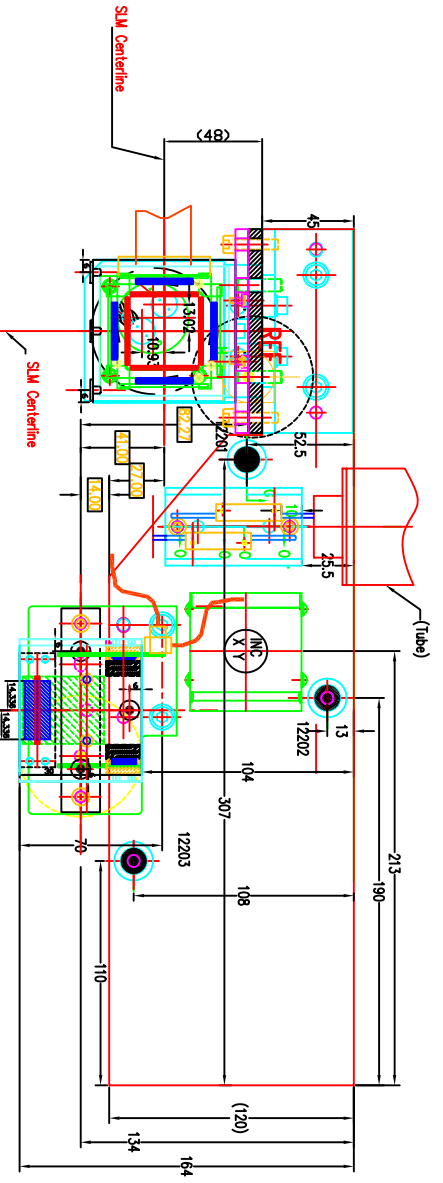
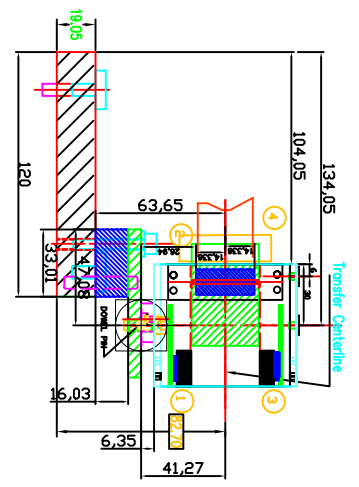


REV.	DESCRIPTION	DATE	BY



ME+2 POINT 2

TRANSFER SENSOR DOME  
 PIN COORDINATES IN TP  
 Reference frame (per G. B)  
 X = +186.000  
 Y = +82.275  
 Z = -31.902

SLM Ref SENSOR DOME  
 ORIGIN of TP Ref Frame  
 X = 0  
 Y = 0  
 Z = 0

OUT OF PLANE  
 Z  
 X  
 Y

REV.	DATE	DESCRIPTION OR REVISION	BY

TRANSFER SENSOR DOME  
 CMS ENDCAP ALIGNMENT  
 Transfer Plate ME2+P2  
 with TP Integrated/TP Ref. Frame  
 Scale: 1:1  
 Approval: CFFlp-02.00.00  
 PIA: 018-02.00.00

